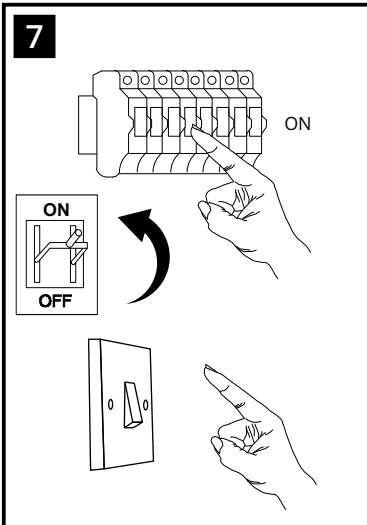
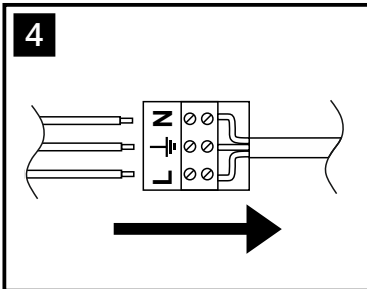
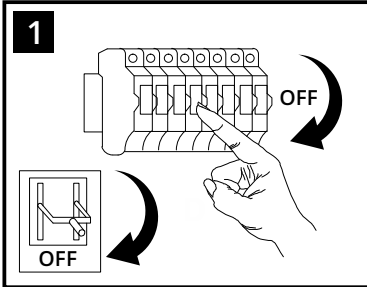


INSTALLATION INSTRUCTIONS

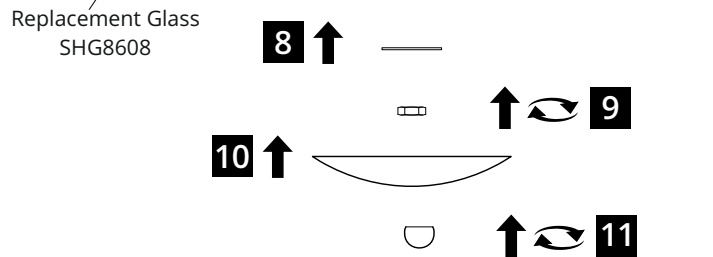
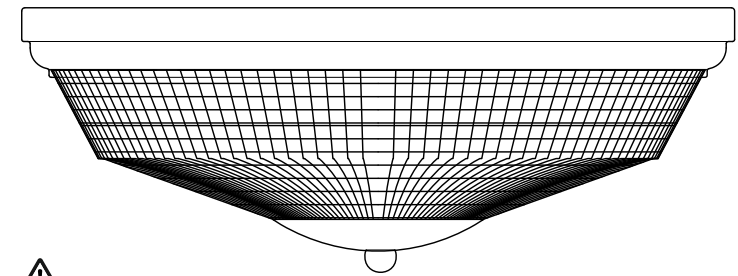
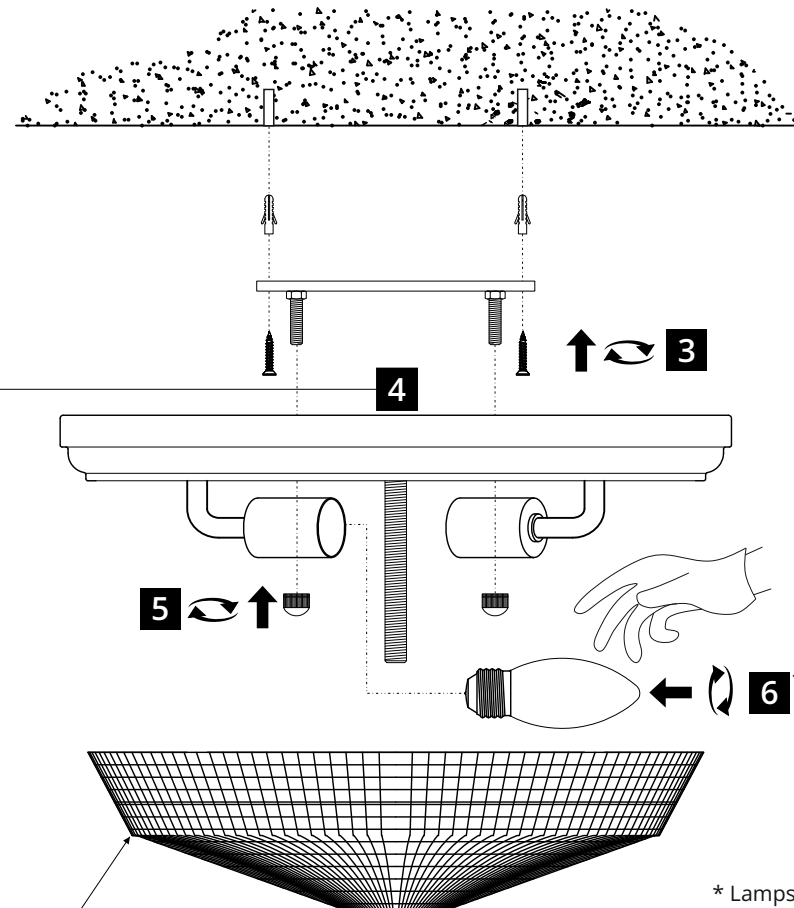
(ILLUSTRATIONS ARE FOR GUIDANCE PURPOSES ONLY. ACTUAL PRODUCT MAY DIFFER FROM THE IMAGES SHOWN)



(1) Prior to installation carefully unpack and check all the components and accessories are as per details enclosed.
 (2) These instructions should be used in conjunction with the installation guidelines included.



⚠ Switch on to test. Switch off and allow lamps to cool down.



* Lamps may not be included. Please ensure maximum wattage is not exceeded.

Installation Pack

Installation Instructions	1 Page	
Installation Guidelines	2 Pages	
White Gloves	1 Pair	
Fixing Screw & Plugs	2 Sets	

Contents Checked by

Voltage	220-240V ~50/60Hz				
Lampholder	ES/E27	COMPATIBLE WITH SUITABLE LAMP/DIMMER			
Lamps	2 x LED 20W Max				