

**3G DIMMER / 120W /  
LINEAR**

---

**ACTION: ITEM GROUPS WITH STANDARD  
DIMMER ONLY (UK-DI-MO-LED-A)**

---

**KNURL: LINEAR**

---

**RANGE: DIMMER / TOGGLE WALL PLATE**

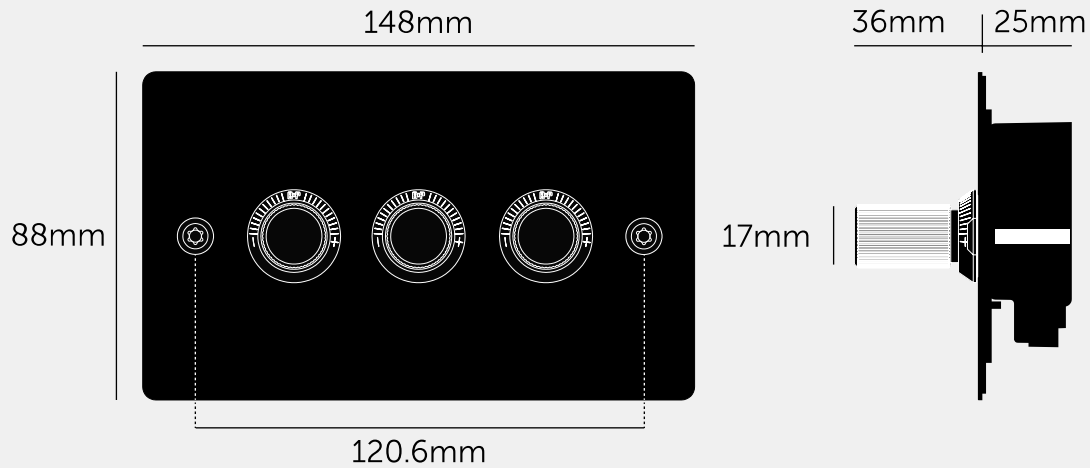
---

A 2G 120W dimmer switch made from solid metal. It features a brushed solid metal plate, three rotary dimmer module and a detail kit with our signature linear dimmer knob, solid metal collar nuts and torx caps.

This dimmer is part of our Custom Switches + Sockets collection, which can be customised in the years to come functionally and aesthetically. Simply switch out the modules, or change the look with one of our detail kits. This piece is delivered with its components in separate boxes.

See tech spec for more information and, if in doubt, always consult a licensed electrician.





#### SPECIFICATIONS

Solid metal switch plate with 3x dimmer module.

Module: UK-DI-MO-LED-A  
 Style: Push On/Off Rotary Dimmer  
 Dimming Type: Trailing edge (native, default) and leading edge (simulated)  
 Input: 230-240 VAC 50Hz  
 Load: LED 5-120W / HAL/INC 60-400W  
 Intelligent soft-start  
 BS EN 60669-2-1  
 Certified for use in UK, Europe and EAEU:  
 UKCA / CE / EAC

For use with standard 2-way and 3-way wiring accessories. Maximum one dimmer module per circuit.

Not compatible with retractive switches and Buster + Punch multipoint dimmers.

Not compatible with non-dimmable lamps & fixtures, compact fluorescent lamps (CFLs) or electric motors (e.g. fans).

Not compatible with native TRIAC (leading edge) dimmable drivers. Suitable for use with good quality ELV electronic drivers only. Certain transformers & drivers may not behave according to their power rating when used with a dimmer. In case of issues, change your driver(s), remove one or more driver from the circuit.

The dimmer switch incorporates a soft-start feature, which may result in a 1-2 second delay before full illumination to reduce inrush current and extend lamp life.

Note: rotary action is smooth and silent during operation.

Compatible with UK standard 2G electricity back boxes (120.6mm screw spacing). See dimensions of chosen module for required backbox depth. Box must be flush mounted.

#### FINISH & SKU NUMBERS

sku:	finish:	size:
GDK-025333	● black	2G
GDK-055334	● brass	2G
GDK-455335	● smoked bronze	2G
GDK-075336	● steel	2G
GDK-145337	● white	2G

#### INCLUDED

1 x 2G Wall Plate for 3x dimmers  
 3 x Dimmer Module/s  
 3 x Dimmer Detail Kit/s  
 1 x Plate Detail Kit  
 2 x 25mm Electricity Screws  
 2 x 50mm Electricity Screws

#### PLEASE NOTE

DISCLAIMER: Always consult a trade professional when installing this product. Buster + Punch is not responsible for the usage or feasibility of installation requirements. This product is not suitable for damp or wet environments.

#### CARE INSTRUCTIONS

Wipe with a dry lint free cloth with no loose hairs, avoid using any chemicals. Please note that finishes may age naturally with time and regular use.